

FB

for three phase alternating current, 6-6 pole

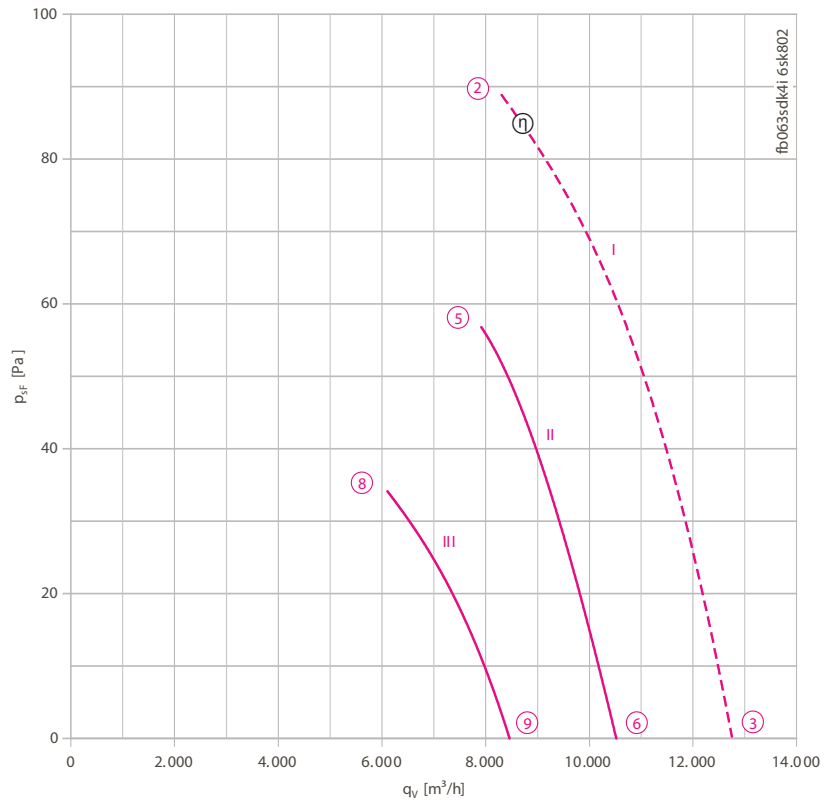
FBO63-SD



Description

Motor technology: AC
 Rated voltage U_N : 3- 400 V (Δ/Y) ± 10 %*
 Rated frequency f_N : 50 Hz* (60Hz data available)
 Motor input power P_1 : 0.72/0.47 kW*
 Rated current I_N : 1.40/0.79 A*
 Rated speed n_N : 870/ 650 min⁻¹*
 Starting current I_s : 4.40 A / 1.40 A
 Current increase ΔI : 5 %
 Thermal class: **THCL155***
 Min. permitted conveyor temperature $t_{R(min)}$: -40 °C
 Max. permitted conveyor temperature $t_{R(max)}$: 55 °C
 Electrical connection: Terminal box
 Number of blades: 4
 Protection class: IP54
 Motor protection: Thermal contact
 Blades: Aluminium, uncoated
 Rotor: Aluminium, uncoated
 Conformity: ErP 2013, CE
ErP Data
 Efficiency η_{statA} : 28.7 %
 Efficiency: $N_{actual} = 36.1 / N_{target} = 36$ **
 * Rated data
 **ErP 2013

Characteristic curve



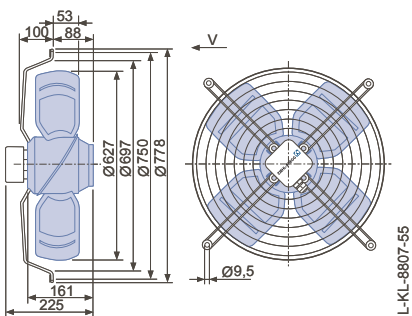
I) Measured in full bell mouth without guard grille in installation type A according to ISO 5801.
 II-x) Measured in short-bell mouth with compressed side contact protection.

- Connection diagram 1360-108XA Page 608
- System components Page 524

Dimensions [mm]



Design K - axial bolted, mounted for short bell mouth E



Performance data


Type	Connection	Characteristic curve	Voltage	Operating point	Current	Motor input power	Speed	Suction side sound power level	Max. permitted media temperature
			U [V]		I [A]	P ₁ [W]	n [min ⁻¹]	L _{WA5} [dB]	t _R [°C]
FB063-SD_4I.V4S	Δ	I	400*	②	1.40*	720*	870*		55
			400	③	1.30	550	910	83	
			400	⑤	1.25	670	890	78	
	Y	III	400	⑥	1.15	610	910	78	
			400	⑧	0.77	470	680	70	
			400	⑨	0.72	440	720	73	

*rated data

Fan ordering information



Design K



Type **FB063-SDK.4I.V4S**
Article no. **210548**

Weight [kg] 12.80

Control technology

<p>Frequency inverter Fcontrol 3~</p>  <p>➤ Page 558</p>	<p>Motor protection units 3~</p>  <p>➤ Page 596</p>	<p>Transformer-based controllers 3~</p>  <p>➤ Page 591</p>	<p>Electronic voltage controllers 3~</p>  <p>➤ Page 578</p>
---	--	---	--